

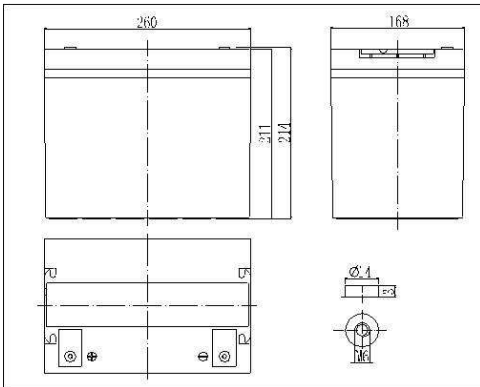
AT OGiV 12750 L (12V 75Ah Battery)



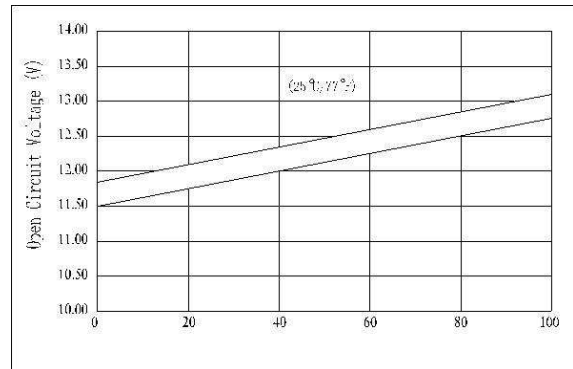
Akku Gesellschaft Taubenheim

Floating Life at 20°C designed for 12 years

Dimensions



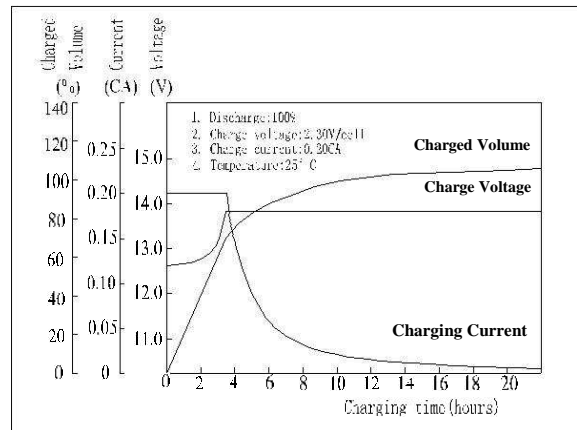
The Relationship for Open Circuit Voltage and Residual Capacity (25°C)



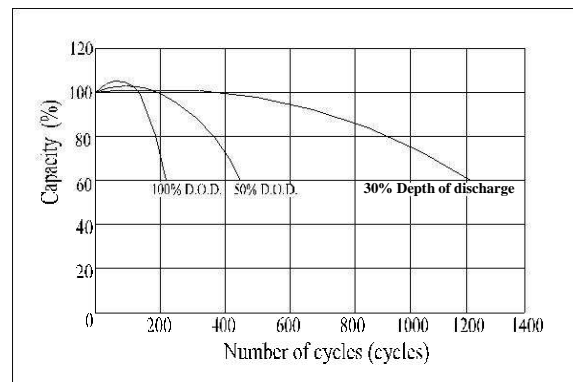
Specifications

Nominal Voltage		12V
Capacity (20hr@25°C@1.8V/C)		78.8Ah
Dimensions	Length	260mm (10.24inch)
	Width	168mm (6.61inch)
	Height	211mm (8.31inch)
	Total Height	214mm (8.43inch)
Approx. Weight		23kg (50.7lbs)
Maximum charging current		22.5A
Maximum discharge current		800A (5sec.)
Internal resistance (Fully charged, 25°C)		Approx. 5.5m3
Capacity affected by temperature (10hr)	40°C	102%
	25°C	100%
	0°C	85%
	-15°C	65%
Self-discharge (25°C)	3 month	Remaining Capacity: 91%
	6 month	Remaining Capacity: 82%
	12 month	Remaining Capacity: 65%
Nominal operating temperature		25°C ±3°C (77°F±5°F)
Operating temperature range		-15°C ~ 50°C (5°F ~ 122°F)
Float charging voltage (25°C)		13.65 to 13.80V
Cyclic charging voltage (25°C)		14.50 to 14.90V
Terminal material		Copper

Charging Characteristics (25°C)



Cycle Life (25°C)



Constant Current Discharge Characteristics (Ampere / Battery, 25°C)

F.V/TIME	5min	10min	15min	30min	1h	3h	5h	10h	20h
9.60V	236	158	124	78,0	47,3	19,4	13,7	7,61	4,00
10.2V	224	150	119	74,9	45,4	19,1	13,5	7,55	3,96
10.8V	211	141	113	71,1	43,1	18,7	13,2	7,50	3,94

Constant Power Discharge Characteristics (Watt / Battery, 25°C)

F.V/TIME	5min	10min	15min	30min	1h	3h	5h	10h	20h
9.60V	2481	1701	1359	875	539	228	162	90,9	48,0
10.2V	2357	1616	1304	840	517	225	160	90,1	47,5
10.8V	2215	1519	1239	798	491	220	156	90,1	47,3