

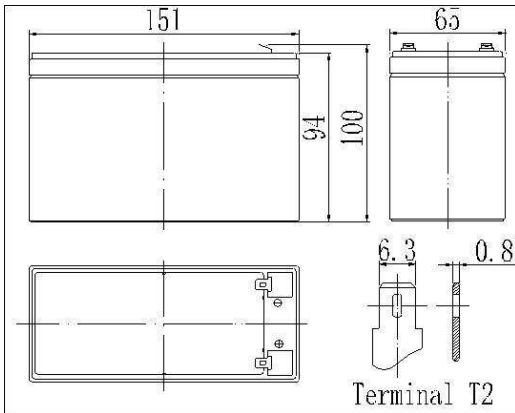
AT OGiV 1272 L (12V 7.2Ah Battery)



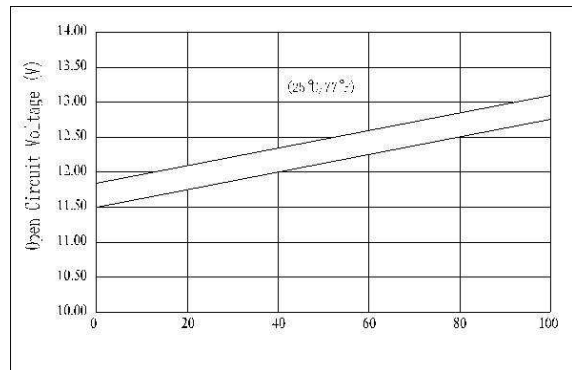
Akku Gesellschaft Taubenheim

Floating Life at 20°C designed for 12 years

Dimensions



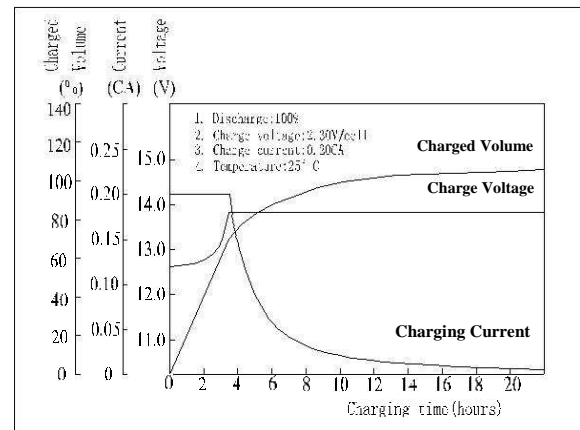
The Relationship for Open Circuit Voltage and Residual Capacity (25°C)



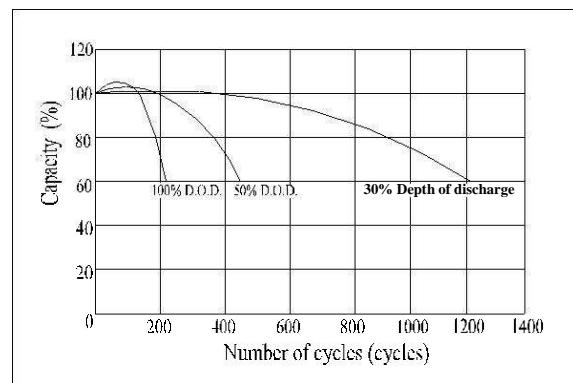
Specifications

Nominal Voltage		12V
Capacity (20hr@25°C@1.8V/C)		7.2Ah
Dimensions	Length	151mm (5.94inch)
	Width	65mm (2.56inch)
	Height	94mm (3.70inch)
	Total Height	100mm (3.94inch)
Approx. Weight		2.38kg (5.25lbs)
Maximum charging current		2.16A
Maximum discharge current		108A (5sec.)
Internal resistance (Fully charged, 25°C)		Approx. 25mΩ
Capacity affected by temperature (20hr)	40°C	102%
	25°C	100%
	0°C	85%
	-15°C	65%
Self-discharge (25°C)	3 month	Remaining Capacity: 91%
	6 month	Remaining Capacity: 82%
	12 month	Remaining Capacity: 65%
Nominal operating temperature		25°C ±3°C (77°F±5°F)
Operating temperature range		-15°C ~ 50°C (5°F ~ 122°F)
Float charging voltage (25°C)		13.65 to 13.80V
Cyclic charging voltage (25°C)		14.50 to 14.90V
Terminal material		Copper

Charging Characteristics (25°C)



Cycle Life (25°C)



Constant Current Discharge Characteristics (Ampere / Battery, 25°C)

F.V/TIME	5min	10min	15min	30min	1h	3h	5h	10h	20h
9.60V	26,5	16,8	13,4	7,76	4,68	1,83	1,24	0,67	0,37
10.2V	25,2	15,9	12,9	7,45	4,49	1,80	1,22	0,67	0,36
10.8V	23,7	15,0	12,2	7,08	4,27	1,76	1,20	0,66	0,36

Constant Power Discharge Characteristics (Watt / Battery, 25°C)

F.V/TIME	5min	10min	15min	30min	1h	3h	5h	10h	20h
9.60V	296	189	153	88,9	54,2	21,7	14,8	8,07	4,38
10.2V	281	180	147	85,4	52,0	21,4	14,6	8,00	4,35
10.8V	264	169	139	81,1	49,4	21,0	14,3	8,00	4,32