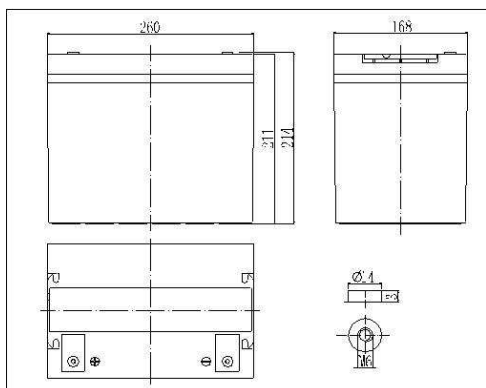


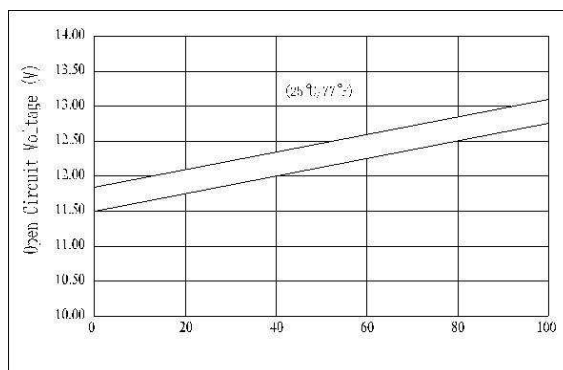
AT OGiV 12600 L (12V 60Ah Battery)

Floating Life at 20°C designed for 12 years

Dimensions



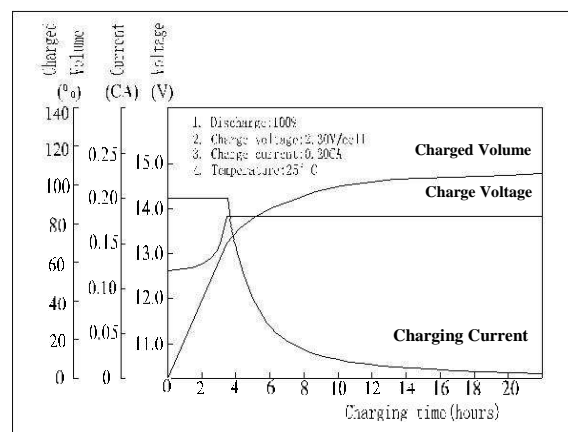
The Relationship for Open Circuit Voltage and Residual Capacity (25°C)



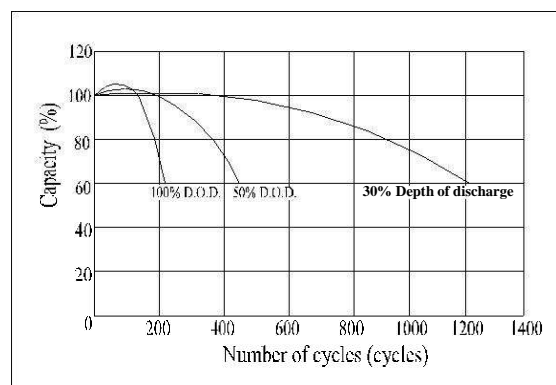
Specifications

Nominal Voltage		12V
Capacity (20hr@25°C@1.8V/C)		63Ah
Dimensions	Length	260mm (10.24inch)
	Width	168mm (6.61inch)
	Height	211mm (8.31inch)
	Total Height	214mm (8.43inch)
Approx. Weight		20kg (44.1lbs)
Maximum charging current		18A
Maximum discharge current		600A (5sec.)
Internal resistance (Fully charged, 25°C)		Approx. 5.7m3
Capacity affected by temperature (10hr)	40°C	102%
	25°C	100%
	0°C	85%
	-15°C	65%
Self-discharge (25°C)	3 month	Remaining Capacity: 91%
	6 month	Remaining Capacity: 82%
	12 month	Remaining Capacity: 65%
Nominal operating temperature		25°C ±3°C (77°F±5°F)
Operating temperature range		-15°C ~ 50°C (5°F ~ 122°F)
Float charging voltage (25°C)		13.65 to 13.80V
Cyclic charging voltage (25°C)		14.50 to 14.90V
Terminal material		Copper

Charging Characteristics (25°C)



Cycle Life (25°C)



Constant Current Discharge Characteristics (Ampere / Battery, 25°C)

F.V/TIME	5min	10min	15min	30min	1h	3h	5h	10h	20h
9.60V	189	126	99,0	62,4	37,8	15,5	11,0	6,09	3,20
10.2V	180	120	95,0	59,9	36,3	15,3	10,8	6,04	3,17
10.8V	169	113	90,3	56,9	34,5	15,0	10,6	6,00	3,15

Constant Power Discharge Characteristics (Watt / Battery, 25°C)

F.V/TIME	5min	10min	15min	30min	1h	3h	5h	10h	20h
9.60V	1985	1361	1087	700	431	183	130	72,7	38,4
10.2V	1885	1293	1044	672	414	180	128	72,1	38,0
10.8V	1772	1215	991	639	393	176	125	72,1	37,8