

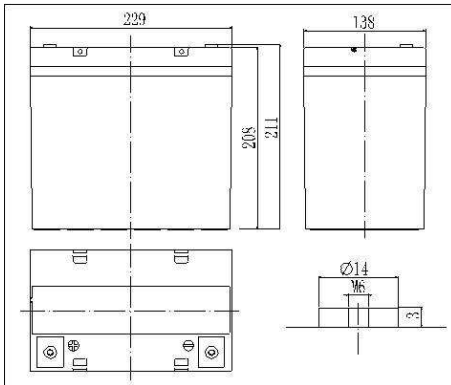
AT OGiV 12550 L (12V 55Ah Battery)



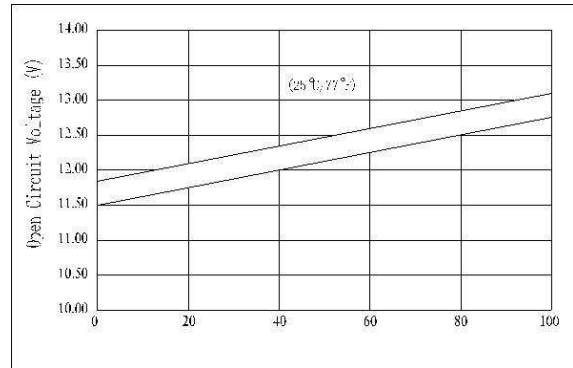
Akku Gesellschaft Taubenheim

Floating Life at 20°C designed for 12 years

Dimensions



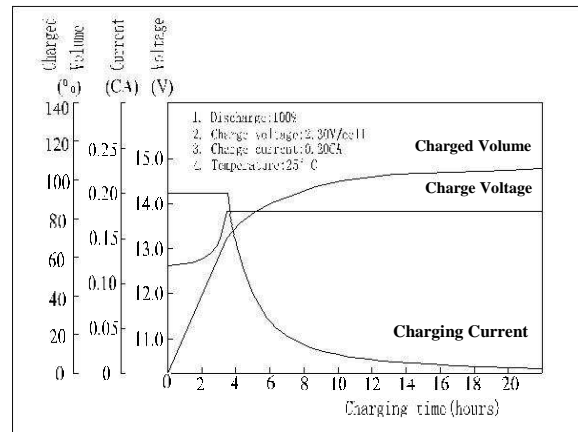
The Relationship for Open Circuit Voltage and Residual Capacity (25°C)



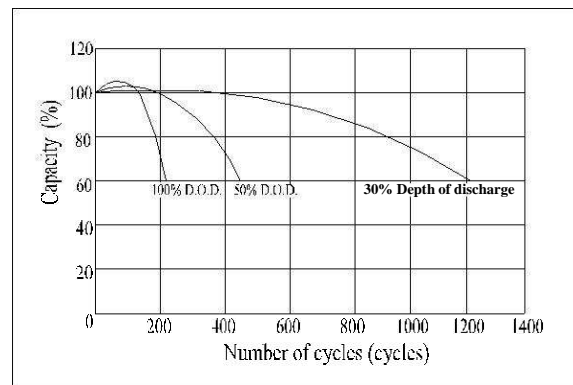
Specifications

Nominal Voltage		12V
Capacity (20hr @ 25°C @ 1.8V/C)		57Ah
Dimensions	Length	229mm (9.02inch)
	Width	138mm (5.43inch)
	Height	208mm (8.19inch)
	Total Height	211mm (8.31inch)
Approx. Weight		17.5kg (38.6lbs)
Maximum charging current		16.5A
Maximum discharge current		550A (5sec.)
Internal resistance (Fully charged, 25°C)		Approx. 5.8m4
Capacity affected by temperature (10hr)	40°C	102%
	25°C	100%
	0°C	85%
	-15°C	65%
Self-discharge (25°C)	3 month	Remaining Capacity: 91%
	6 month	Remaining Capacity: 82%
	12 month	Remaining Capacity: 65%
Nominal operating temperature		25°C ±3°C (77°F ±5°F)
Operating temperature range		-15°C ~ 50°C (5°F ~ 122°F)
Float charging voltage (25°C)		13.65 to 13.80V
Cyclic charging voltage (25°C)		14.50 to 14.90V
Terminal material		Copper

Charging Characteristics (25°C)



Cycle Life (25°C)



Constant Current Discharge Characteristics (Ampere / Battery, 25°C)

F.V/TIME	5min	10min	15min	30min	1h	3h	5h	10h	20h
9.60V	180	130	100	62,0	36,0	14,7	10,0	5,58	2,89
10.2V	171	124	96,0	59,5	34,6	14,5	9,9	5,53	2,88
10.8V	161	116	91,2	56,5	32,8	14,2	9,7	5,50	2,85

Constant Power Discharge Characteristics (Watt / Battery, 25°C)

F.V/TIME	5min	10min	15min	30min	1h	3h	5h	10h	20h
9.60V	1890	1404	1098	696	410	173	118	66,6	34,7
10.2V	1796	1334	1054	668	394	171	117	66,0	34,6
10.8V	1688	1254	1001	634	374	167	115	65,7	34,2