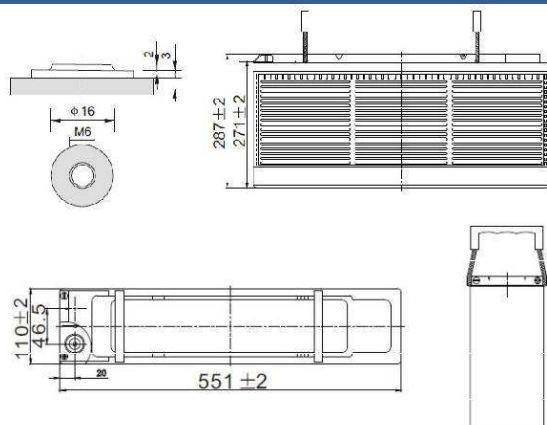


AT OGiV121500FT (12V 150Ah Front Terminal)

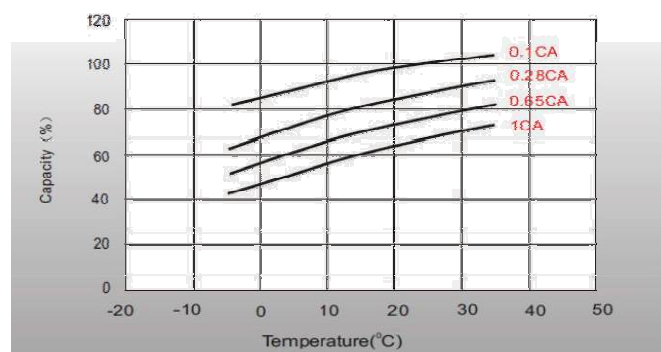
Floating Life at 20°C designed for 10-12 years

EAN: 4260123689551

Dimensions



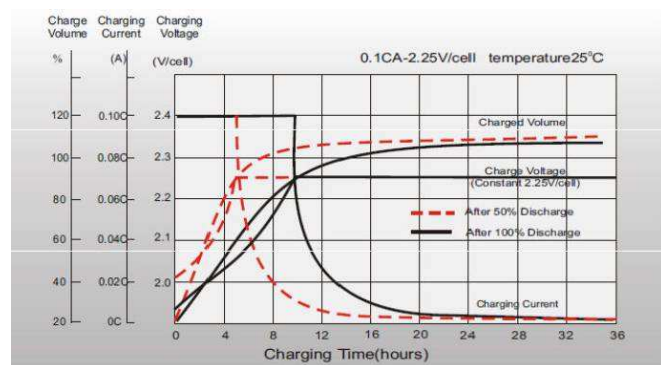
Temperature Effects in Relation to Battery Capacity



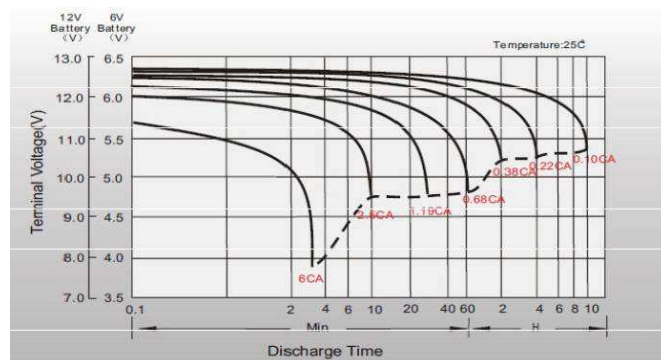
Specifications

Nominal Voltage		12V
Capacity (10hr @ 25°C @ 1.80V/C)		150Ah
Dimensions	Length	551mm (21.7inch)
	Width	110mm (4.33inch)
	Height	287mm (11.30inch)
	Total Height	287mm (11.30inch)
Approx. Weight		46.4kg (102.3lbs)
Maximum charging current		45A
Maximum discharge current		1200A (5sec.)
Internal resistance		Approx. 3.0mΩ
Capacity affected by temperature (20hr)	40°C	103%
	25°C	100%
	0°C	86%
	-15°C	65%
Self-discharge (25°C)	3 month	Remaining Capacity: 91%
	6 month	Remaining Capacity: 82%
	12 month	Remaining Capacity: 65%
Nominal operating temperature		25°C ±3°C (77°F±5°F)
Operating temperature range		-20°C ~ 55°C (-4°F ~ 131°F)
Float charging voltage (25°C)		13.65 to 13.80V
Cyclic charging voltage (25°C)		14.40 to 15.00V
Terminal material		Copper

Float Charging Characteristics



Discharge Characteristics



Constant Current Discharge Characteristics (Ampere / Battery, 25°C)

F.V/ TIME	10min	15min	20min	30min	45min	1h	2h	3h	4h	5h	6h	8h	10h	20h
11.1V	251,3	209,5	179,8	141,0	109,3	88,9	53,0	38,2	30,6	25,4	22,1	17,2	14,3	7,60
10.8V	284,9	233,5	199,0	154,3	117,6	94,9	55,9	40,6	32,2	26,7	23,2	18,1	15,0	7,94
10.5V	312,7	252,7	212,3	162,1	122,1	98,2	57,0	41,3	33,1	27,3	23,6	18,3	15,2	8,06
10.2V	334,5	266,1	220,9	166,9	124,9	99,6	57,8	41,7	33,3	27,5	23,8	18,5	15,3	8,12
9.90V	346,1	272,8	225,5	169,0	125,4	100,0	58,0	41,9	33,5	27,7	24,1	18,8	15,5	8,16
9.60V	363,8	283,2	235,5	173,3	128,7	102,6	59,0	42,8	34,2	28,5	24,6	19,2	15,8	8,21

Constant Power Discharge Characteristics (Watt / Battery, 25°C)

F.V/ TIME	10min	15min	20min	30min	45min	1h	2h	3h	4h	5h	6h	8h	10h	20h
11.1V	2815,8	2370,6	2055,0	1629,6	1274,4	1039,2	624,0	450,6	363,0	301,2	262,8	205,8	172,2	91,2
10.8V	3154,8	2607,0	2241,6	1756,2	1360,2	1103,4	654,0	477,0	379,8	315,6	275,4	215,4	179,4	95,4
10.5V	3407,4	2787,0	2369,4	1830,0	1399,2	1137,6	663,6	483,0	388,2	321,6	279,0	217,8	181,2	96,6
10.2V	3563,4	2895,0	2446,2	1873,2	1425,6	1149,0	672,0	487,2	390,0	322,8	281,4	220,2	183,0	97,2
9.90V	3672,6	2955,0	2487,0	1893,0	1426,2	1151,4	673,2	488,4	393,0	325,8	284,4	223,2	184,8	97,8
9.60V	3754,2	3007,2	2561,4	1915,8	1448,4	1169,4	678,0	495,0	399,0	333,0	288,6	227,4	187,8	97,8