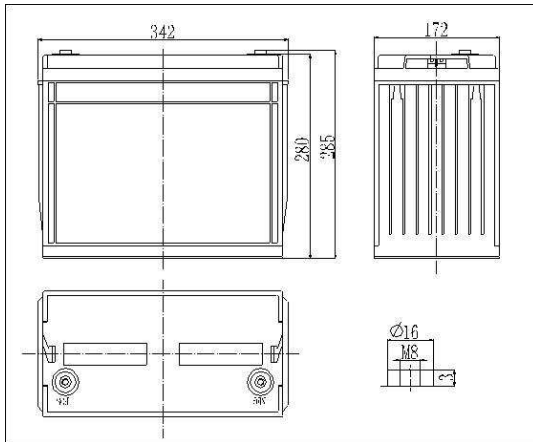


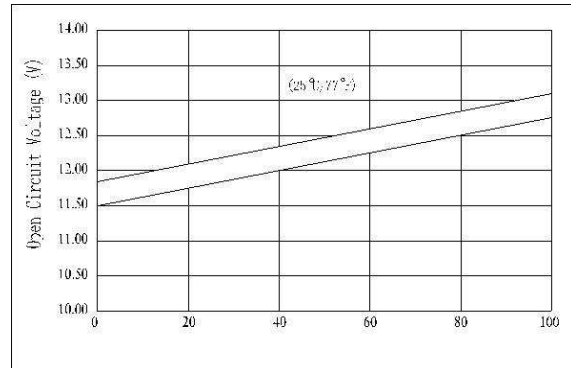
AT OGiV 121340 L (12V 134Ah Battery)

Floating Life at 20°C designed for 12 years

Dimensions



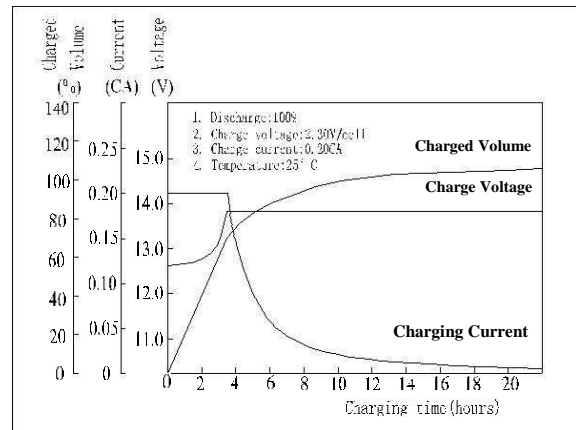
The Relationship for Open Circuit Voltage and Residual Capacity (25°C)



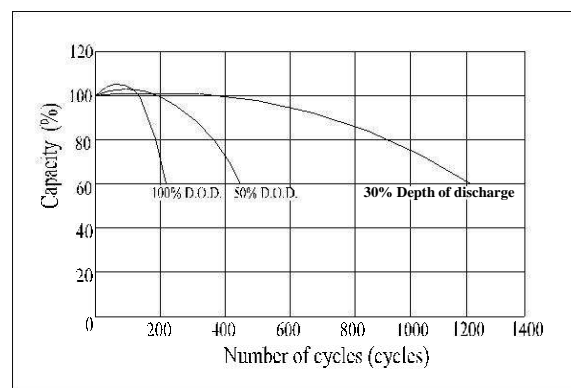
Specifications

Nominal Voltage		12V
Capacity (20hr@25°C@1.8V/C)		140Ah
Dimensions	Length	342mm (13.46inch)
	Width	172mm (6.77inch)
	Height	280mm (11.02inch)
	Total Height	285mm (11.22inch)
Approx. Weight		43kg (94.8lbs)
Maximum charging current		40A
Maximum discharge current		1050A (5sec.)
Internal resistance (Fully charged, 25°C)		Approx. 3.8m Ω
Capacity affected by temperature (10hr)	40°C	102%
	25°C	100%
	0°C	85%
	-15°C	65%
Self-discharge (25°C)	3 month	Remaining Capacity: 91%
	6 month	Remaining Capacity: 82%
	12 month	Remaining Capacity: 65%
Nominal operating temperature		25°C \pm 3°C (77°F \pm 5°F)
Operating temperature range		-15°C ~ 50°C (5°F ~ 122°F)
Float charging voltage (25°C)		13.65 to 13.80V
Cyclic charging voltage (25°C)		14.50 to 14.90V
Terminal material		Copper

Charging Characteristics (25°C)



Cycle Life (25°C)



Constant Current Discharge Characteristics (Ampere / Battery, 25°C)

F.V/TIME	5min	10min	15min	30min	1h	3h	5h	10h	20h
9.60V	430	290	230	144	87,0	34,0	24,6	13,6	7,11
10.2V	409	276	221	138	83,5	33,5	24,2	13,5	7,04
10.8V	384	259	210	131	79,3	32,8	23,7	13,4	7,00

Constant Power Discharge Characteristics (Watt / Battery, 25°C)

F.V/TIME	5min	10min	15min	30min	1h	3h	5h	10h	20h
9.60V	4515	3132	2525	1616	992	400	290	162	85,0
10.2V	4289	2975	2424	1551	952	394	286	161	84,5
10.8V	4032	2797	2303	1474	905	386	280	161	84,0