

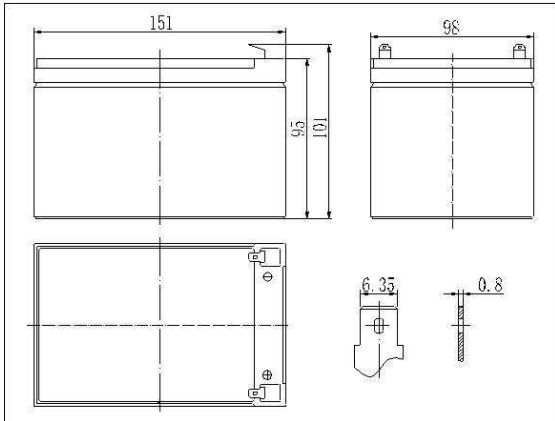
# AT OGiV 12120 L (12V 12Ah Battery)



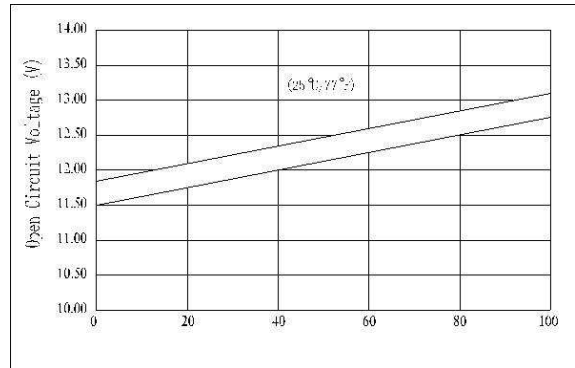
Akku Gesellschaft Taubenheim

Floating Life at 20°C designed for 12 years

## Dimensions



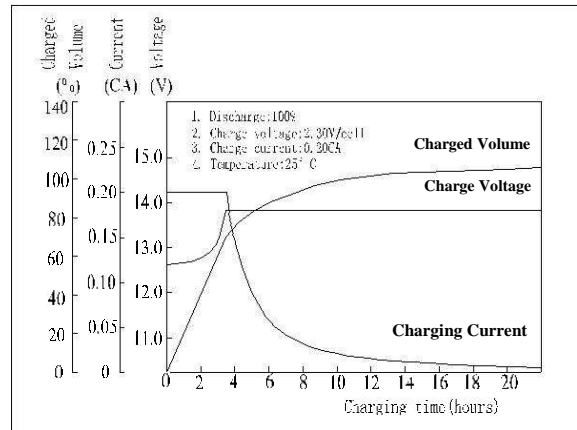
## The Relationship for Open Circuit Voltage and Residual Capacity (25°C)



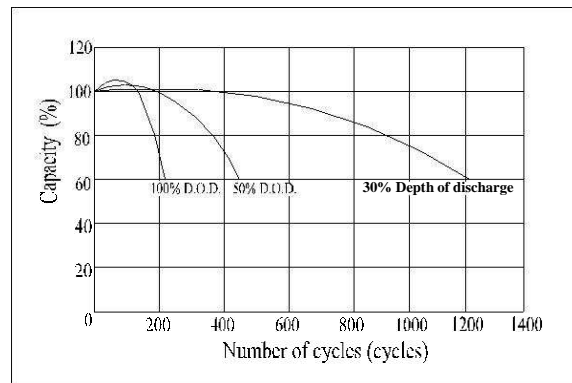
## Specifications

<b>Nominal Voltage</b>		<b>12V</b>
<b>Capacity (20hr @ 25°C @ 1.8V/C)</b>		<b>12Ah</b>
<b>Dimensions</b>	<b>Length</b>	<b>151mm (5.94inch)</b>
	<b>Width</b>	<b>98mm (3.86inch)</b>
	<b>Height</b>	<b>95mm (3.74inch)</b>
	<b>Total Height</b>	<b>101mm (3.98inch)</b>
<b>Approx. Weight</b>		<b>3.8kg (8.38lbs)</b>
<b>Maximum charging current</b>		<b>3.6A</b>
<b>Maximum discharge current</b>		<b>180A (5sec.)</b>
<b>Internal resistance (Fully charged, 25°C)</b>		<b>Approx. 19m4</b>
<b>Capacity affected by temperature (20hr)</b>	<b>40°C</b>	<b>102%</b>
	<b>25°C</b>	<b>100%</b>
	<b>0°C</b>	<b>85%</b>
	<b>-15°C</b>	<b>65%</b>
<b>Self-discharge (25°C)</b>	<b>3 month</b>	<b>Remaining Capacity: 91%</b>
	<b>6 month</b>	<b>Remaining Capacity: 82%</b>
	<b>12 month</b>	<b>Remaining Capacity: 65%</b>
<b>Nominal operating temperature</b>		<b>25°C ±3°C (77°F ±5°F)</b>
<b>Operating temperature range</b>		<b>-15°C ~ 50°C (5°F ~ 122°F)</b>
<b>Float charging voltage (25°C)</b>		<b>13.65 to 13.80V</b>
<b>Cyclic charging voltage (25°C)</b>		<b>14.50 to 14.90V</b>
<b>Terminal material</b>		<b>Copper</b>

## Charging Characteristics (25°C)



## Cycle Life (25°C)



## Constant Current Discharge Characteristics (Ampere / Battery, 25°C)

F.V/TIME	5min	10min	15min	30min	1h	3h	5h	10h	20h
9.60V	44,6	30,1	24,0	13,2	7,80	3,17	2,08	1,12	0,61
10.2V	42,4	28,6	23,0	12,7	7,49	3,12	2,05	1,11	0,61
10.8V	39,8	26,9	21,9	12,1	7,11	3,06	2,01	1,10	0,60

## Constant Power Discharge Characteristics (Watt / Battery, 25°C)

F.V/TIME	5min	10min	15min	30min	1h	3h	5h	10h	20h
9.60V	498	339	274	152	90,3	37,6	25,0	13,4	7,26
10.2V	473	322	263	146	86,7	37,1	24,5	13,3	7,26
10.8V	445	303	250	138	82,4	36,3	24,0	13,3	7,20